



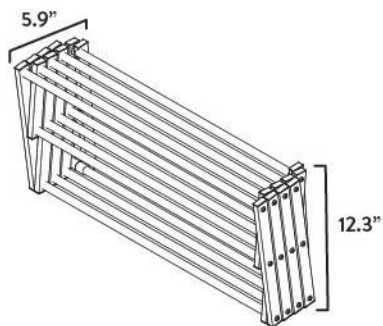
www.laundx.com



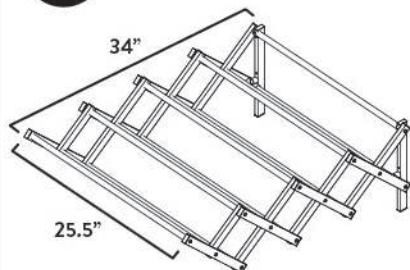
INSTRUCTION MANUAL

**How to Mount and Operate the LaundX Adjustable
Wall-Mounted Accordion Clothes Air Drying Rack**

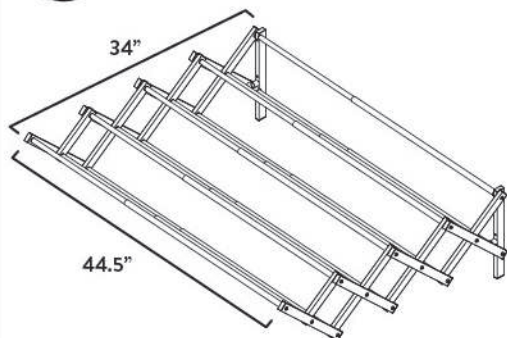
Thank you for your purchase of the LaundX Aluminium Adjustable
Wall-Mounted Accordion Clothes Air Drying Rack.
Read the Instructions for more information.



Closed Position



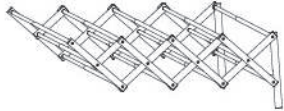

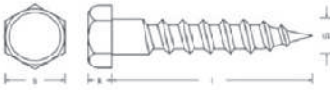

Open Position, Narrowest Width











Open Position, Expanded to Widest Width

- 11 Rods of Hanging Space
- Max Load Bearing Weight = 20kgs / 44 lbs
- Product Weight = 3kgs / 6.6lbs

Parts List:

Part	Qty	Image
1 LaundX Adjustable Wall-Mounted Accordion Clothes Air Drying Rack	1	
2 Fischer Duopower Wall Plugs	4	
3 10mm x 75mm Hex Head Coach Screws	4	
4 Wall Hook Screw	4	

Tools Required (Not Provided):

 Eye Protection Safety Glasses	 Electric Drill	 Drill Bit 8mm / O Gauge Drill Bit	 Hammer
 Spirit Level / Bubble Level	 Pencil	 Measuring Tape	 Adjustable Wrench (Crescent Wrench) to tighten 10mm hex head screw

How to Install your LaundX Clothes Air Drying Rack:

I will use my Drying Rack in more than one area (e.g. indoors & outdoors)



Use fischer plugs and wall hook screws.

Area 1: Install SET 1
Area 1: Install SET 2

REFER TO A

I will only use my Drying Rack in one area

I want to mount my Drying Rack at a fixed width to be permanently attached to my wall



Use fischer plugs and coach screws.
(2 of each required per vertical support arm)

*You can discard the wall hook screws.

REFER TO B

I want to be able to change the width of the Drying Rack making rods longer or shorter



Use fischer plugs and 2 wall hook screws.

*You can discard the other 2 fischer plugs, 2 wall hook screws and 4 coach screws.

REFER TO A

I want to be able to remove my Drying Rack from the wall (not install as a permanent fixture)



OR

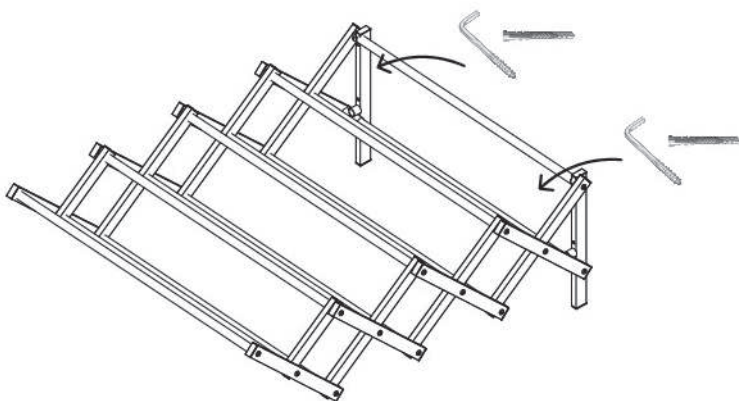
CONTINUE TO FOLLOW INSTRUCTIONS A OR B

INSTRUCTIONS **A** FOR INSTALLATION IN MORE THAN ONE AREA

1. Select wall to position LaundX Clothes Air Drying Rack. This can be indoors or outdoors and against any type of wall.
2. Put on eye protection safety glasses to protect your eyes while mounting the Clothes Air Drying Rack.

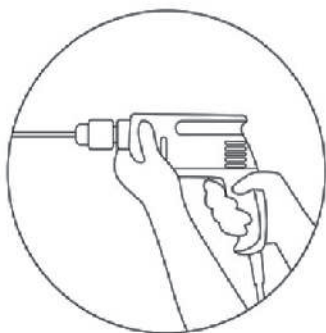


3. Position your LaundX Clothes Air Drying Rack at the narrowest width. Hold against the wall with the vertical support arms vertical against the wall. Use a spirit / bubble level to ensure the Air Drying Rack is level and then mark the wall with a pencil at the place you will insert the Wall Hook Screws and Plugs. The drilled holes should be positioned as per the arrows in the diagram below on the inside of the vertical support arm. Note: The holes in the vertical support arms will **not** be used, as the Air Drying Rack will not be permanently fixed to the wall.

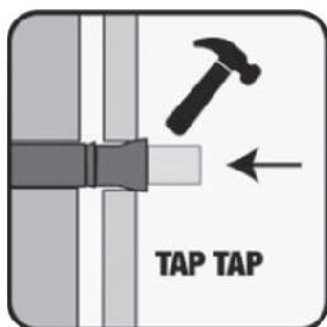


CONTINUE TO NEXT PAGE...

4. At the point the wall is marked, using an 8mm or \O gauge drill bit, drill 2 holes, one for each plug - 2.5" (or 65mm) into the wall.



5. Hammer in the two Fischer Duopower plugs.



6. Screw the two Wall Hook Screws into the plugs.
7. You can now mount your Air Drying Rack with the furthest top rod hooked onto the two Wall Hook Screws. You can extend your Air Drying Rack to any width, or remove it from the wall when not in use.

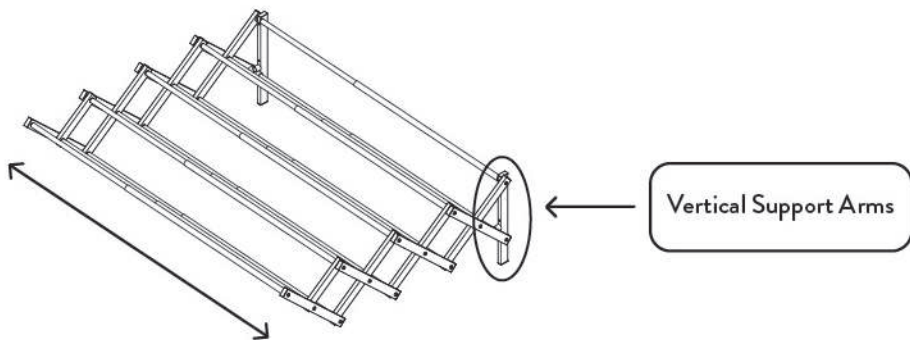
CONTINUE FOR INSTRUCTIONS B

INSTRUCTIONS **B** FOR PERMANENT FIXED WIDTH INSTALLATION

1. Select wall to position LaundX Clothes Air Drying Rack. This can be indoors or outdoors and against any type of wall.
2. Put on eye protection safety glasses to protect your eyes while mounting the Clothes Air Dryer.



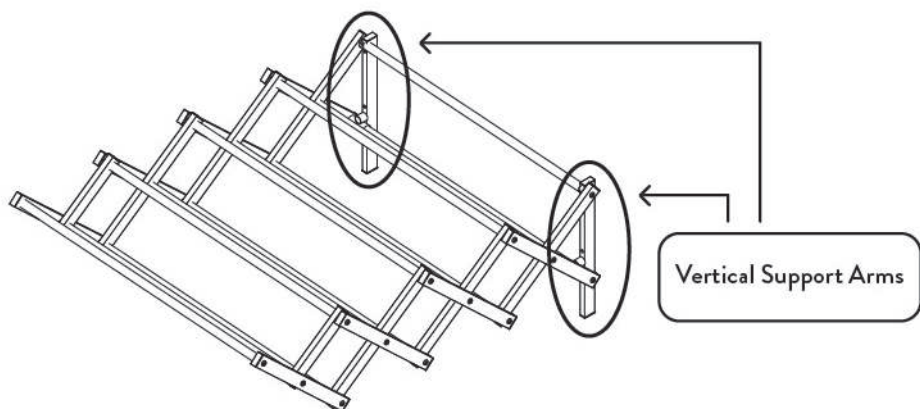
3. Extend your LaundX Clothes Air Drying Rack to required width (ensure vertical support arms are positioned against wooden beams if mounting into a dry wall).



4. Use a measuring tape to measure the width of the beams against which your LaundX Clothes Air Drying Rack will attach and set the vertical support arms of the clothes drying rack to this width.

CONTINUE TO NEXT PAGE...

5. Mark the wall at the height which you want to mount the clothes drying rack.
6. Place vertical support arms against wall and mark with a pencil through hole on one side.



(see https://www.youtube.com/watch?v=THvU6L_Ra7s for a video instruction of installing Fischer Duopower plugs)

7. Put down your LaundX Clothes Air Drying Rack. At the point the wall is marked, using an 8mm /Ø gauge Drill Bit, drill 2.5" (or 65mm) into the wall.

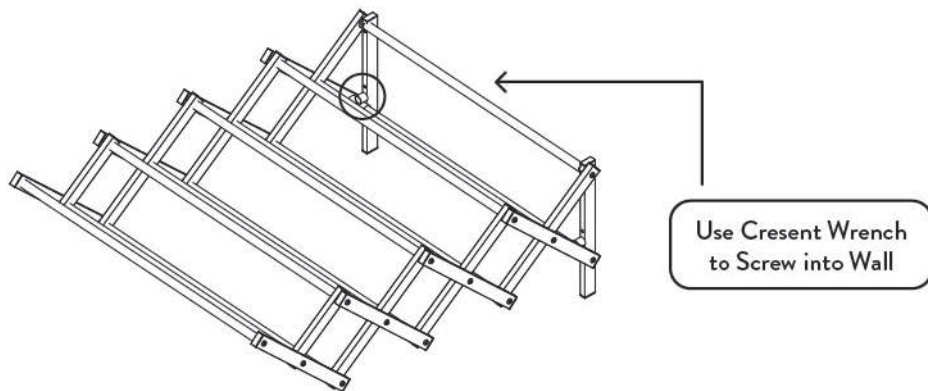


CONTINUE TO NEXT PAGE...

8. Hammer in one Fischer Duopower plug.



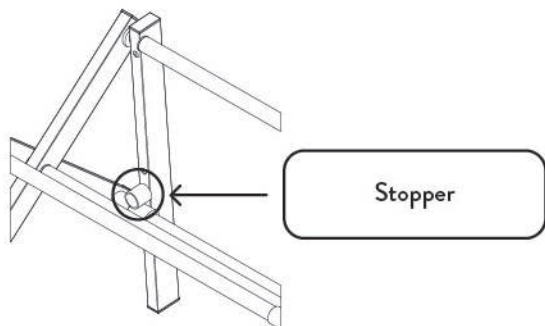
9. Position the hole of your LaundX Clothes Air Drying Rack over the plug and using the Crescent Wrench screw in the hex head coach screw. Tighten to ensure the vertical arm is flush against the wall.



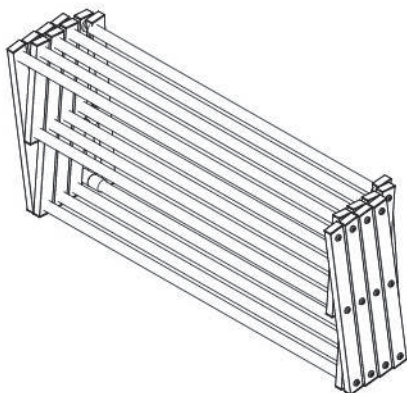
10. Use a spirit (bubble) level to ensure your LaundX Clothes Air Drying Rack is level.

CONTINUE TO NEXT PAGE...

11. On the other vertical support arm repeat steps 6-9 to secure the other arm.
12. Ensure all four plugs and screws are tightened well (each vertical support arm has two holes).
13. Your LaundX Clothes Air Drying Rack can be extended to any position until it reaches the stopper.

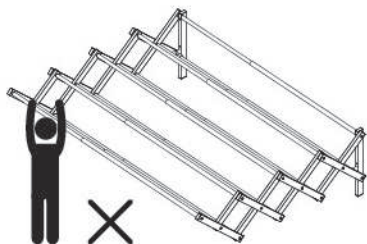


14. To store it neatly, simply push the rods back towards the wall for a tidy appearance.

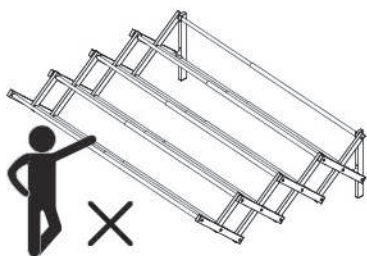


CONTINUE FOR WARNINGS.

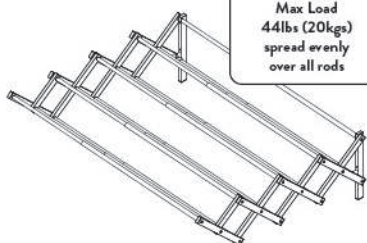
WARNINGS!!!



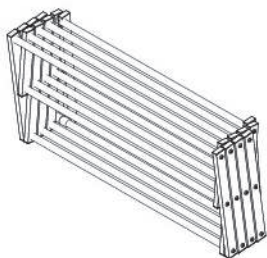
Do not let children hang on or play with any part of the product. They may cause the product to break or fall and result in product failure, personal injury or property damage.



Do not lean on the rods when extended. This may cause the product to break or fall and result in product failure, personal injury or property damage.



Do not hang items over the weight of 20kgs or 44lbs. Also do not apply excessive force on the rod or any part of the product. The product may fall and cause injury or damage.

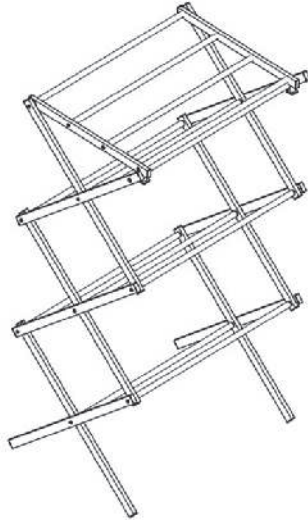


**MAKE SURE
TO OBSERVE**

Do not leave your LaundX Clothes Air Drying Rack extended when not in use. Contract the drying rack into a closed position to prevent injuries due to collision.

Have YOU seen the other LAUNDX products?

FOLDABLE EXPANDABLE 3-TIER CLOTHES DRYING RACK



PORTABLE INDOOR / OUTDOOR ADJUSTABLE UMBRELLA CLOTHES AIR DRYING RACK

