



www.laundx.com

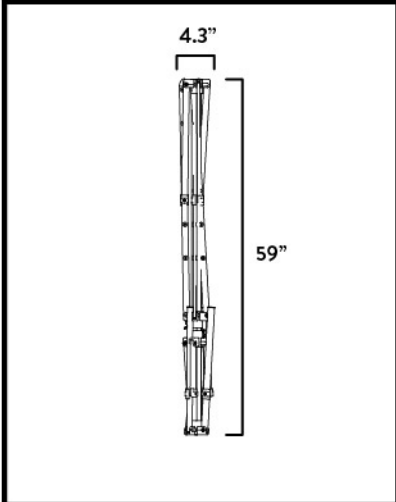


INSTRUCTION MANUAL
Portable Indoor/Outdoor Adjustable
Umbrella Clothes Air Drying Rack

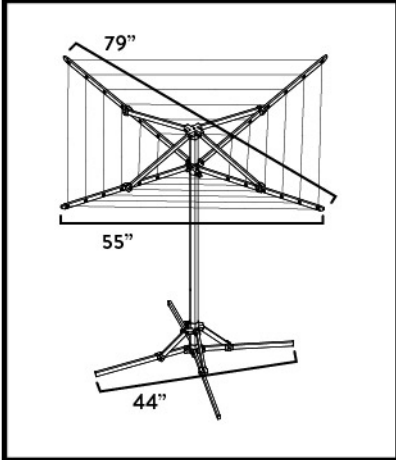
Thank you for your purchase of the LaundX Aluminium Portable Indoor/Outdoor Adjustable Umbrella Clothes Drying Rack. Read the Instructions below or just watch the video online.

NOTE: The portable indoor/outdoor adjustable umbrella clothes air drying rack comes FULLY ASSEMBLED.... NO LOOSE PARTS TO PUT TOGETHER AND NO TOOLS REQUIRED.

The drying rack can be used outdoors (in good weather) or indoors.
Fold and put away in windy weather or when not in use.




LaundX Umbrella Clothes Drying Rack.
Closed position



LaundX Umbrella Clothes Air Drying Rack.
Open position

Parts List:

Part	Qty	Image
1 LaundX Adjustable Clothes Drying Rack	1	

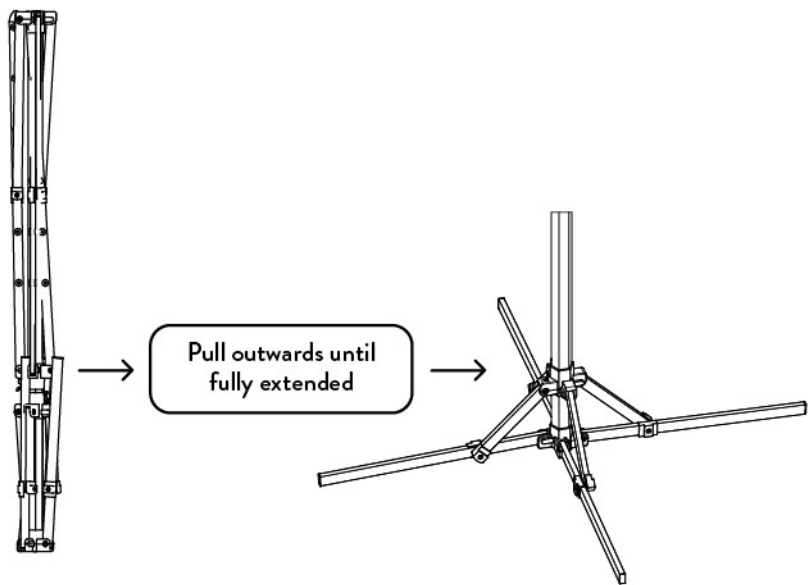
Tools Required: None

INSTALATION INSTRUCTIONS

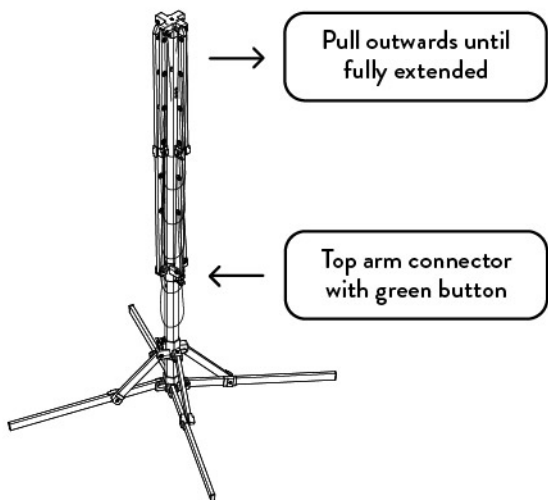
Opening the Umbrella Clothes Air Drying Rack

1. Remove your Umbrella Clothes Air Drying Rack from the box.
2. Remove plastic sleeve taking care not to tangle the lines.
3. Hold the Umbrella Air Drying Rack vertically (upright) and ensure the lines are at the top (long arms with pointed plastic ends are facing upwards)
4. While holding the Umbrella Air Drying rack slightly off the ground, use your other hand to pull each of the four short aluminium supporting legs away from the centre upright pole. Gently push one of the legs downward. As you do so the other three legs will automatically come down. Pull downwards until you hear a click sound which will mean the supporting legs are full extended and almost parallel to the ground. This will give your Umbrella Air Drying rack stability.

CONTINUE TO NEXT PAGE TO SEE DIAGRAM...

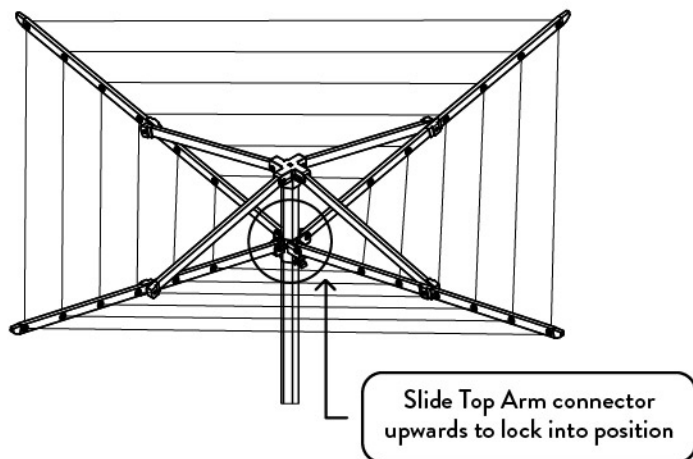


5. The Umbrella Air Drying Rack should then be in this position.



CONTINUE TO NEXT PAGE...

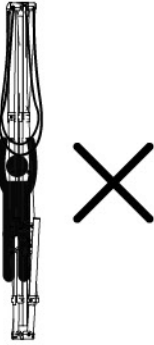
6. Similar to point 4.
7. Grip the top arm connector with your hand. Slide the arm connector upwards and lock into position. There are three locking positions should you want to tighten the line further. The lines should be tight before you hang laundry.



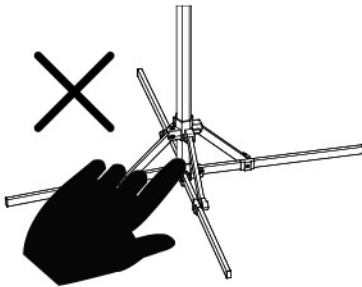
Collapsing the Umbrella Clothes Air Drying Rack

1. Collapse the lines first by pushing on the green button of the top black arm connector. This will release the arm connector and enable you to slide it down the central pole and the arms and lines will pull inwards. The lines will then be sagging and loose.
2. Hold the central pole slightly off the ground and click green button of the bottom black connector. Pull the legs upwards and move them slightly to the right to slot them into position against black arm connector.

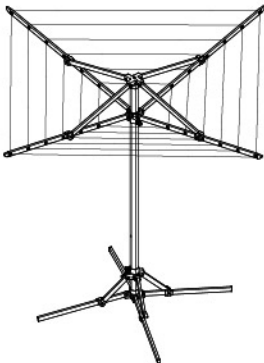
WARNINGS!!!



Do not let children or adults hang on or play with the lines or any part of the product. They may cause them getting twisted or strangled by the lines. It could also cause the product to break or fall and result in product failure, personal injury or property damage.



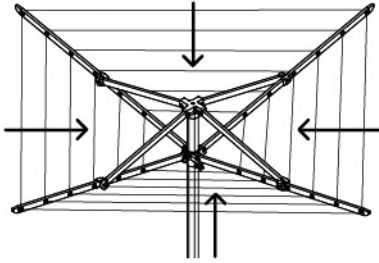
The product contains moving parts with connectors. Take care of fingers when sliding the connectors. Always use your thumb to slide connectors with a gentle motion. Not following instructions can result in jammed fingers or limb amputation. Do not let children collapse the Umbrella Air Drying Rack.



Ensure you open the Umbrella Air Drying Rack in a wide open space with no people or other objects nearby. Take care when opening arms. They splay outwards and can knock objects or people and cause breakages or personal injury.

WARNINGS!!!

Equal Load spread across lines



Evenly spread the load on all four sides of the Umbrella Drying rack using all lines.

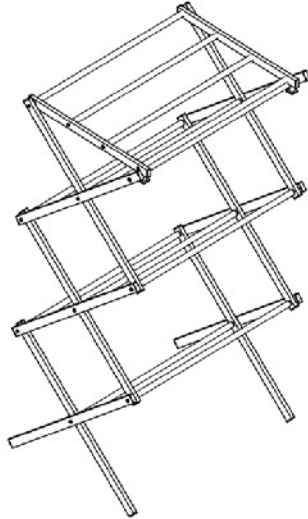
Do not hang more than 20 lbs (or 10 kgs) from the lines (no more than 5lbs between each arm).



Do not leave your LaundX Umbrella Drying Rack extended when not in use. Collapse the drying rack and store in a cupboard when not in use.

Have YOU seen the other LAUNDX products?

FOLDABLE EXPANDABLE 3-TIER CLOTHES DRYING RACK



WALL MOUNTED RETRACTABLE & EXPANDABLE ACCORDION CLOTHES AIR DRYER

